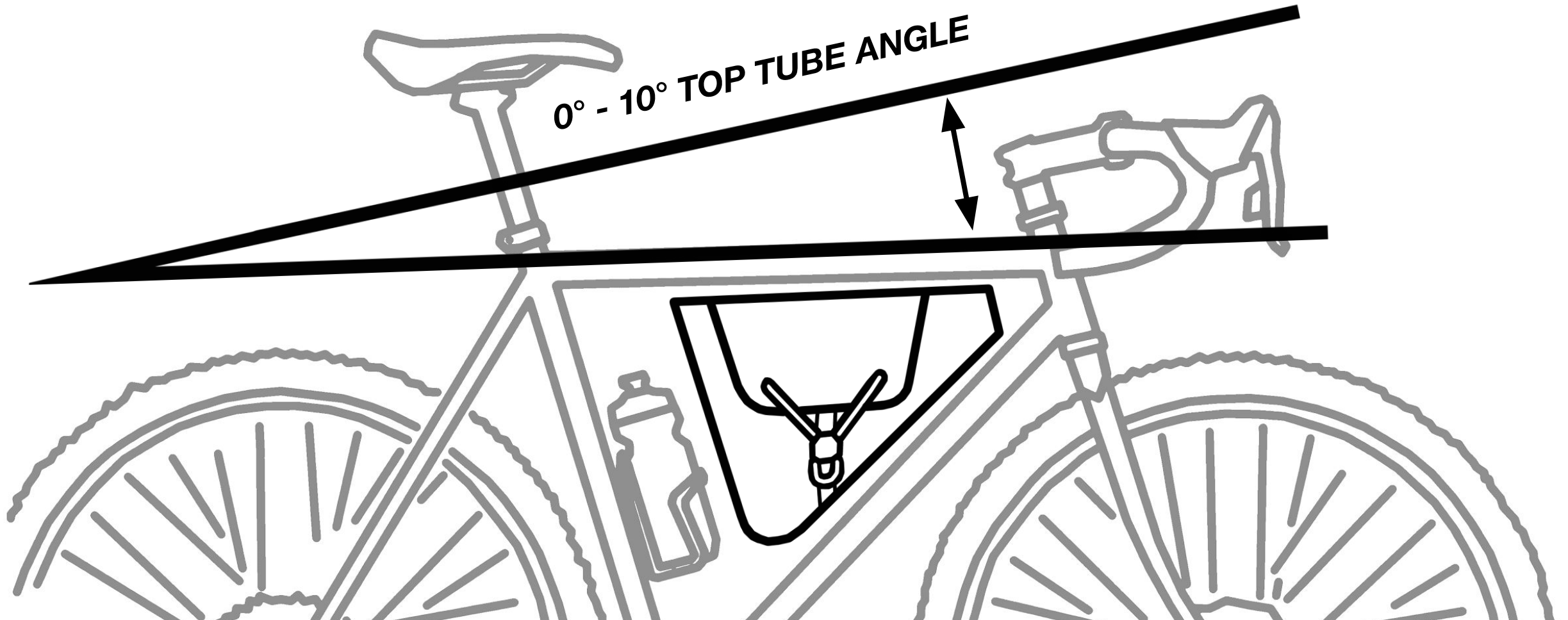




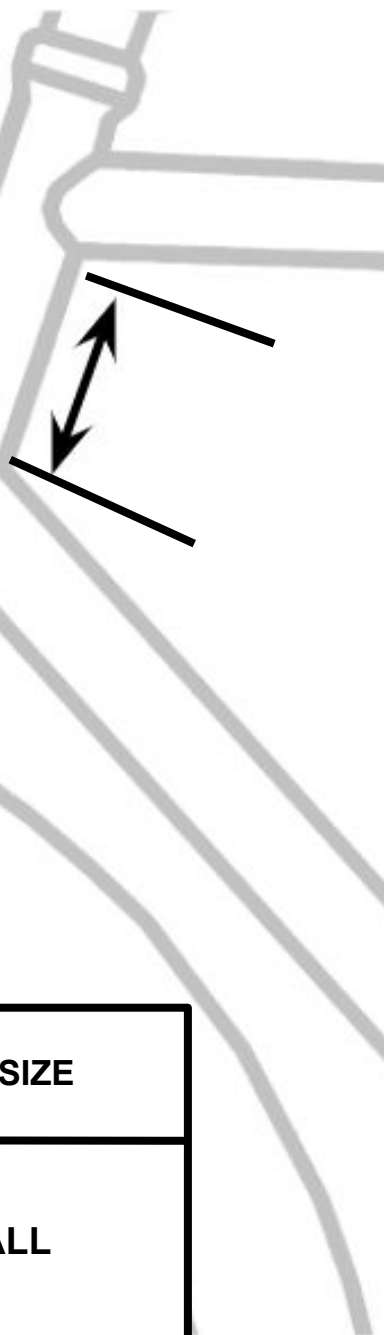
SIZING GUIDE FOR THE BETTER HALF© FRAME BAG - DESIGNED FOR ROAD / GRAVEL BIKES THAT HAVE A 0-10° TOP TUBE SLOPE.

NOT SURE ABOUT YOUR TOP TUBE SLOPE ANGLE? PLEASE USE THE TOOL BY OUR FRIENDS AT BIKEINSIGHTS.COM - SEARCH YOUR BIKE FOR FRAME GEOMETRY.



DETERMINE SIZE BY TAKING MEASUREMENT ON THE INSIDE OF FRAME TRIANGLE.

MEASURE THE DISTANCE BETWEEN THE TOP TUBE AND DOWN TUBE ON THE INSIDE OF THE HEADTUBE.



HT LENGTH INSIDE	BAG SIZE
0" ...2.5"	SMALL
2.5" ...4"	LARGE

SMALL - SHORT	SMALL - LONG
LARGE - SHORT	LARGE - LONG